

TP23S

DUAL TEMPERATURE & PRESSURE Transducer



- ✓ Dual Temperature- and Pressure-Transducer
- ✓ 1/4-18 NPT male
- ✓ Amplified
- ✓ Stainless steel ports
- ✓ Connector electrical connections

PERFORMANCE SPECIFICATIONS

Pressure Ranges

5 to 10K psi (34.4 KPa-68.9 MPa)

(Proof Pressure: 120% to 150% of rated range)

Accuracy

0.5% FS

Resolution

Below delectability

Emperature Operating

-40°C to 116°C (-40°F to 240°F)

Termination (std.)

62IN-12E-10-6P

supply voltage

Excitation: 12 Vdc to 28 Vdc

Output : 1-5 Vdc & 4 to 20 mA

Performing Media

Liquid or gas compatible with 17-4 PH
stainless steel

Overload-safe

120% over capacity

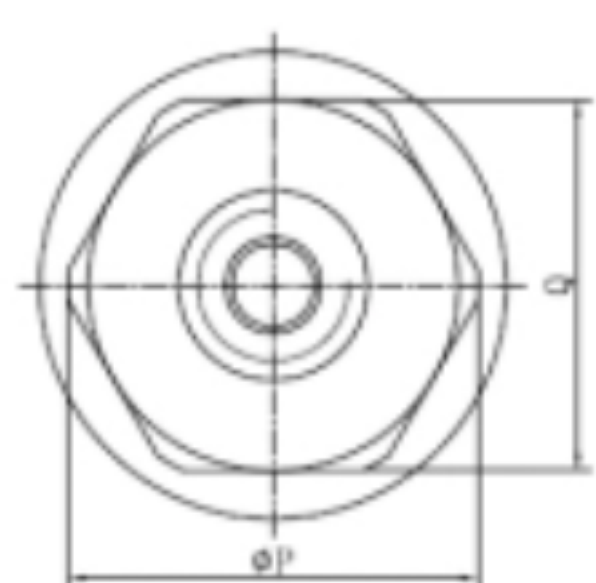
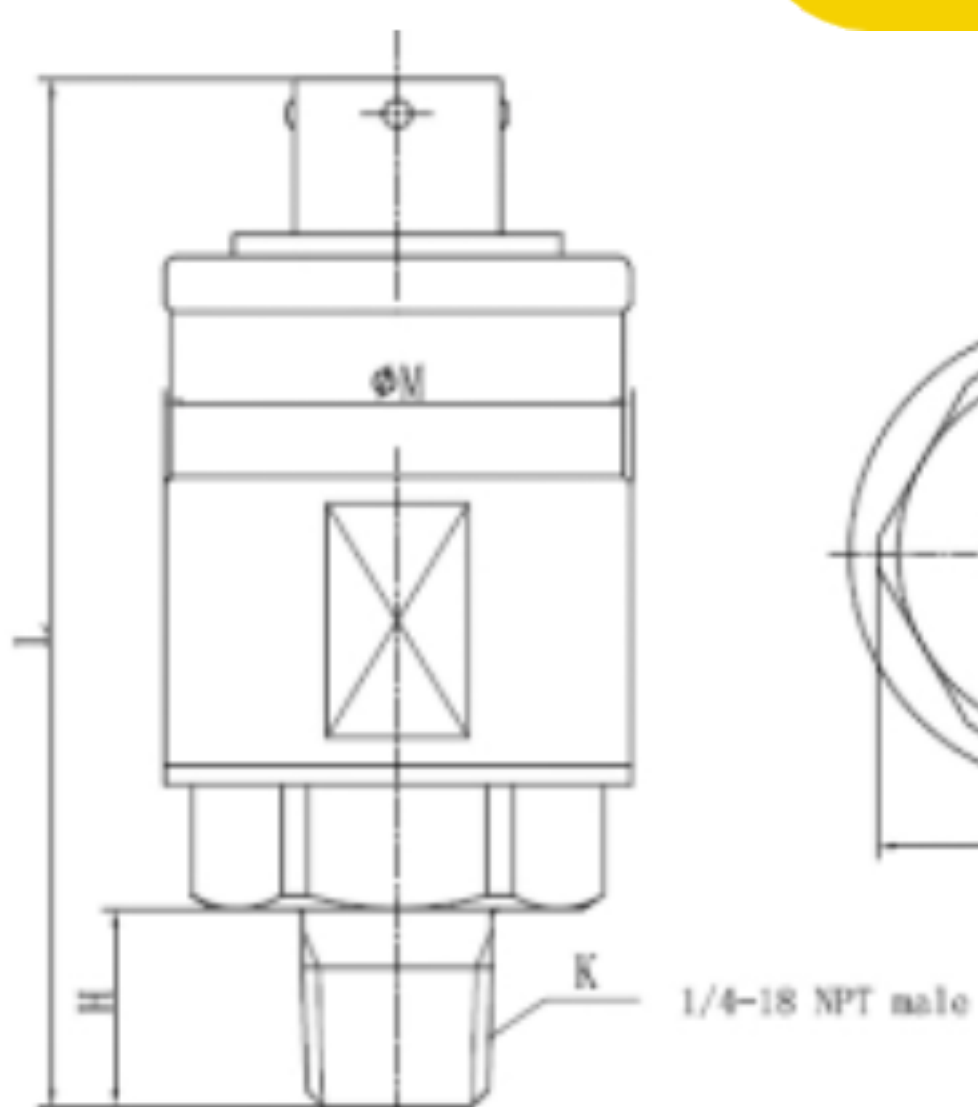
Pressure port

1/4-18 NPT male

Wetted parts material

17-4 PH Stainless steel

Dimensions



	mm	in
H	14.4	0.567
L	74.8	2.945
M	34	1.339
P	30	1.181
Q	27	1.063